

| REVISIONS | | RELEASED | APPROVED |
|-----------|---|----------|----------|
| REV | DESCRIPTION | DATE | |
| D1 | 22869/REDRAWN TO CAEDS | 93/02/22 | WS |
| E1 | 23765/ADDED ITEMS 5 AND 6 | 93/05/27 | WS |
| F1 | 33869/FIND NO 5 WAS QTY 3, P/N 35959-017/97/10/06 | 93 | WS |

CONSTRUCTION HERMETICALLY SEAL

CONTACT RATING RES 25A 115/200V 400HZ
MOT 15A 115/200V 400HZ

COIL RATING 28VDC
PICKUP 18V MAX HOT
DROPOUT 7V MAX HOT

RATED DUTY CONTINUOUS

VIBRATION MIL-E-5272 PROC 1

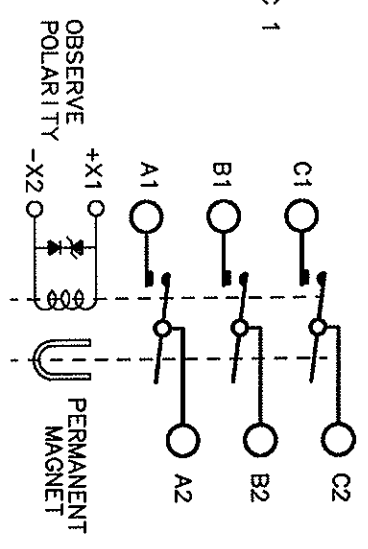
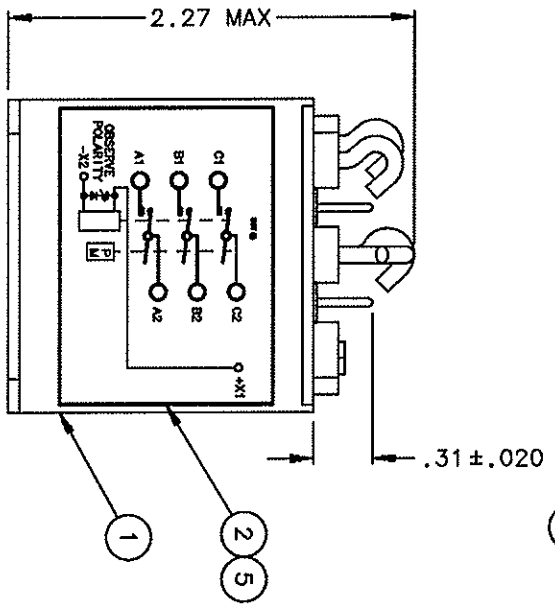
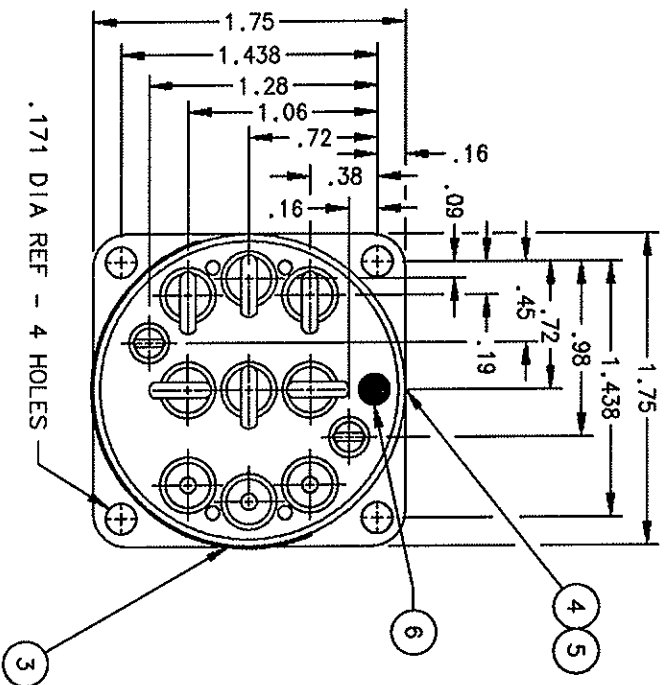
MAX WEIGHT 7-1/2 OZ

ALTITUDE 80, 000 FT

TEMP RANGE -65°C TO +85°C

MIN OPER CYCLES 50, 000

SHOCK 25G



NOTE:

COIL TRANSIENT VOLTAGE LIMITED TO ± 42 VOLTS REFERENCED TO ZERO VOLTS

| QTY | PART OR IDENTIFYING NO | DESCRIPTION | MATERIAL OR NOTE |
|-----|------------------------|------------------------------|------------------|
| 6 | AR 54102-001 | RED ENAMEL PAINT DOT/GLYPHOL | |
| 5 | 2 39529-001 | OVERLAY | |
| 4 | 1 16043-038 | PLATE-NAME | |
| 3 | 1 17959-001 | PLATE-WARNING | |
| 2 | 1 34753-001 | PLATE-WIRING DIAGRAM | |
| 1 | 1 20473-080 | CONTACTOR ASSY-PRIMARY | |

| UNLESS OTHERWISE SPECIFIED DIMENSIONS ARE IN INCHES TOLERANCES ON | | HARTMAN ELECTRICAL MANUFACTURING MANSFIELD, OHIO | |
|---|--------|--|--------------|
| 2 PL DEC. IS PL DEC. ANGLES | | DIR BY | RLS 97/11/06 |
| * .03 | * .010 | CHK BY | ES 97/11/06 |
| | | ENGR | ES 97/11/06 |
| | | MFG | 97/11/06 |
| | | RELEASE | |
| | | CONTR NO. | |
| | | COUNT APPVL | |

| | | | |
|-------|------------|----------|-----|
| SIZE | CODE IDENT | DWG NO. | |
| C | 74063 | DH-14 CE | 093 |
| SCALE | NONE | SHEET | |